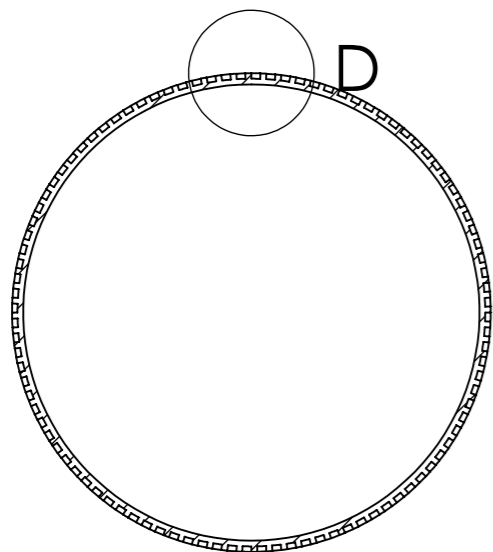
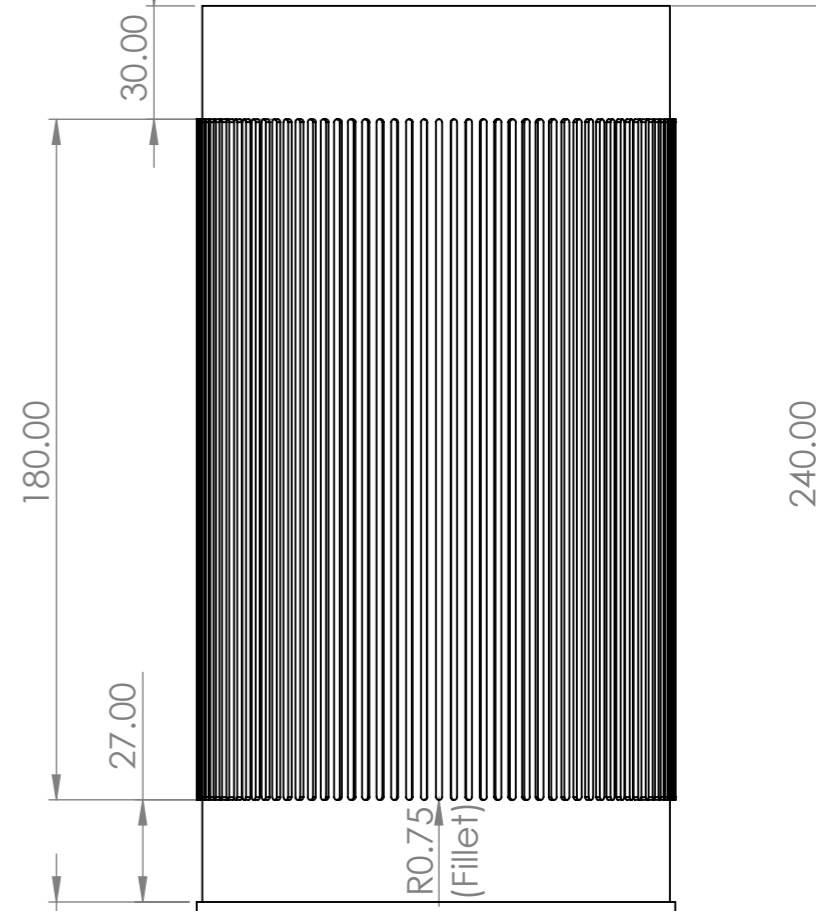
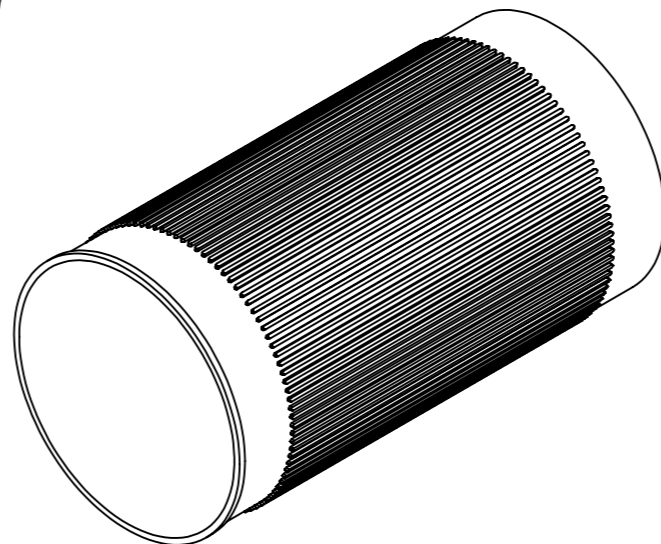
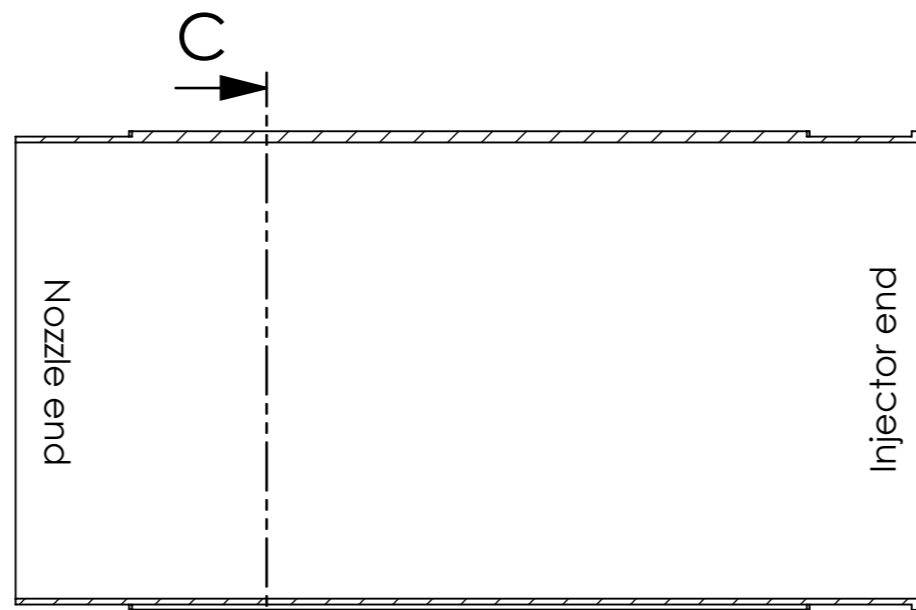


100 fins  
Blockage ratio of 0.4

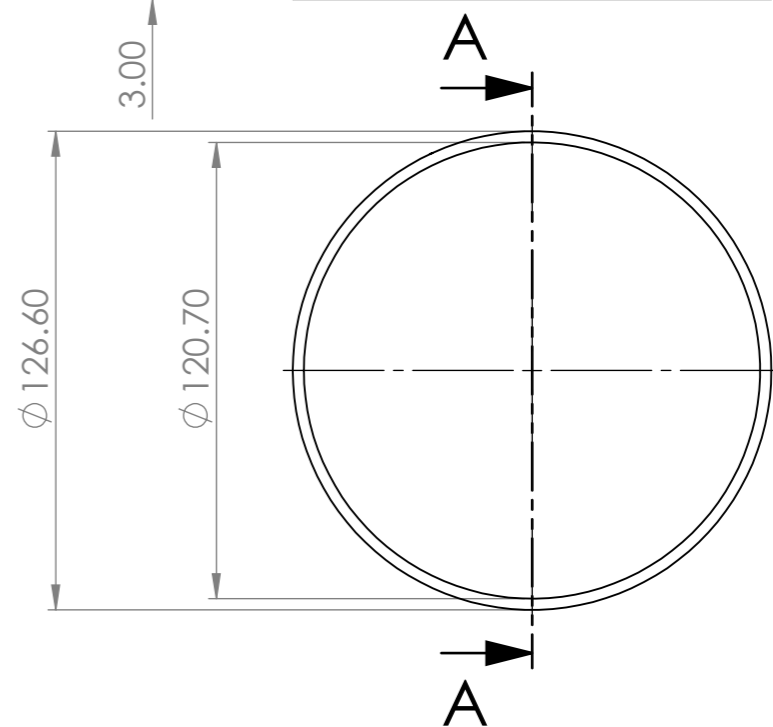
**DETAIL D**  
SCALE 5 : 1



**SECTION C-C**



**SECTION A-A**



UNLESS OTHERWISE SPECIFIED: DIMENSIONS ARE IN MILLIMETERS		FINISH:		DEBURR AND BREAK SHARP EDGES		DO NOT SCALE DRAWING		REVISION	
SURFACE FINISH:									
TOLERANCES:									
LINEAR:									
ANGULAR:									
DRAWN		NAME	SIGNATURE	DATE			TITLE:		
CHK'D									
APPV'D									
MFG									
Q.A					MATERIAL:	DWG NO.		A3	
						CHAMBER_CNC			
					WEIGHT:	SCALE:1:2		SHEET 1 OF 1	