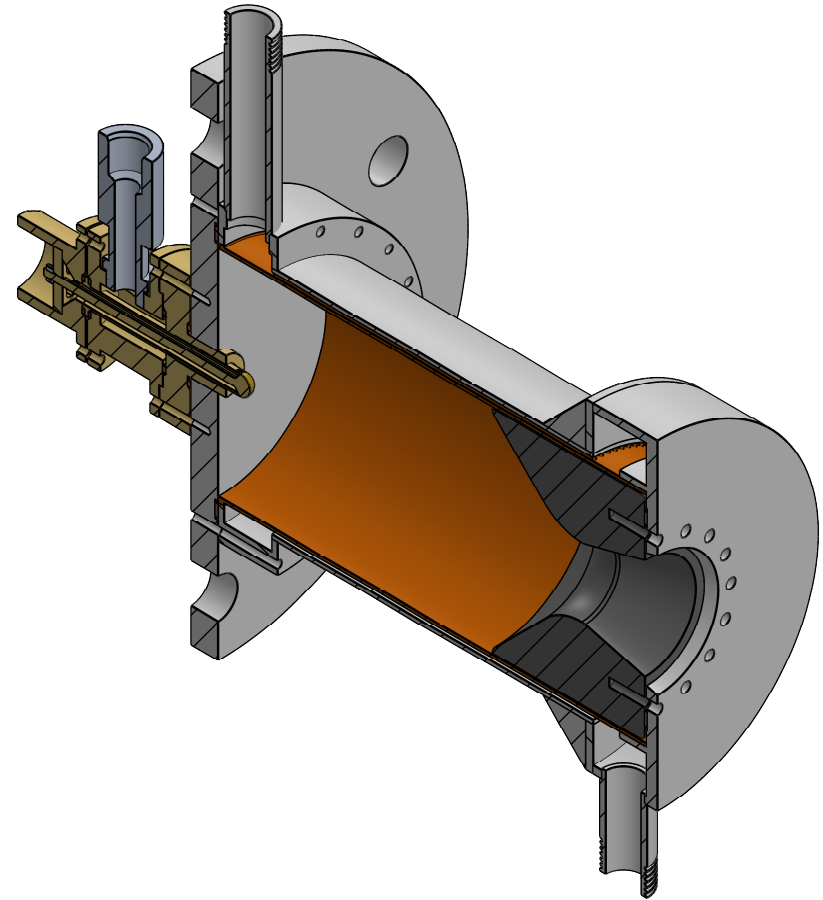
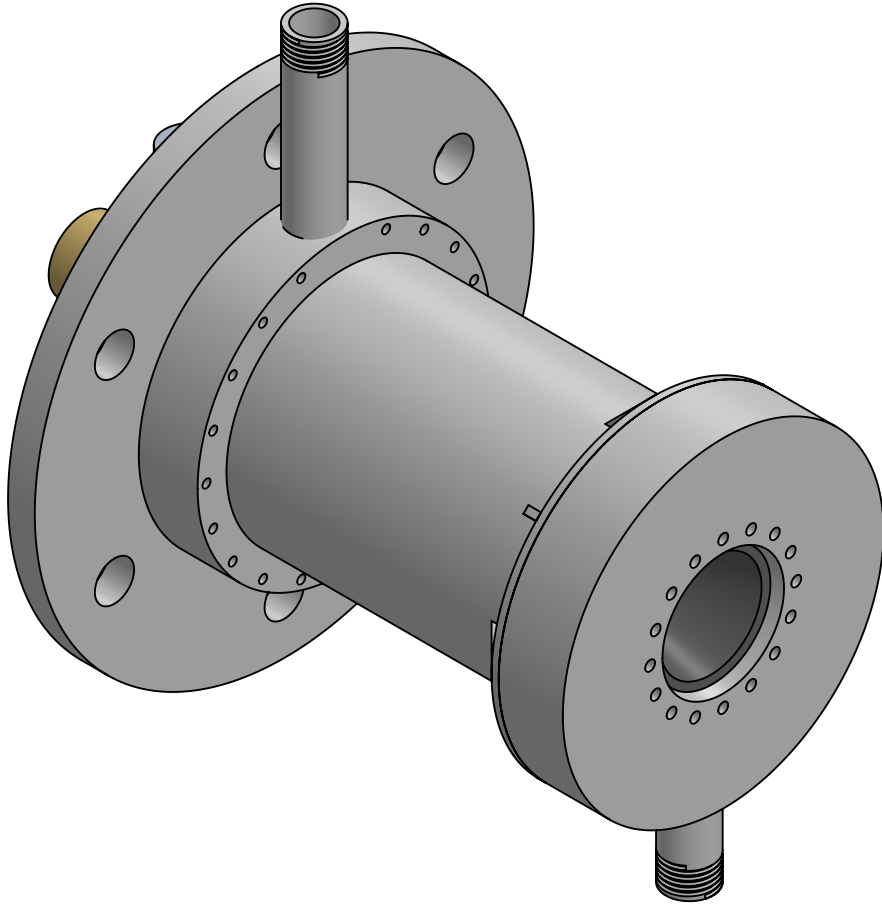


B

B



A

A

PROPRIETARY AND CONFIDENTIAL
 THE INFORMATION CONTAINED IN THIS DRAWING IS THE SOLE PROPERTY OF CAMBRIDGE UNIVERSITY SPACEFLIGHT. ANY REPRODUCTION IN PART OR AS A WHOLE WITHOUT THE WRITTEN PERMISSION OF CAMBRIDGE UNIVERSITY SPACEFLIGHT IS PROHIBITED.

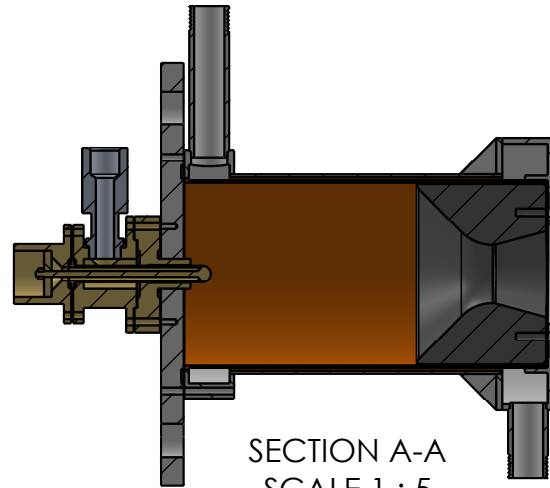
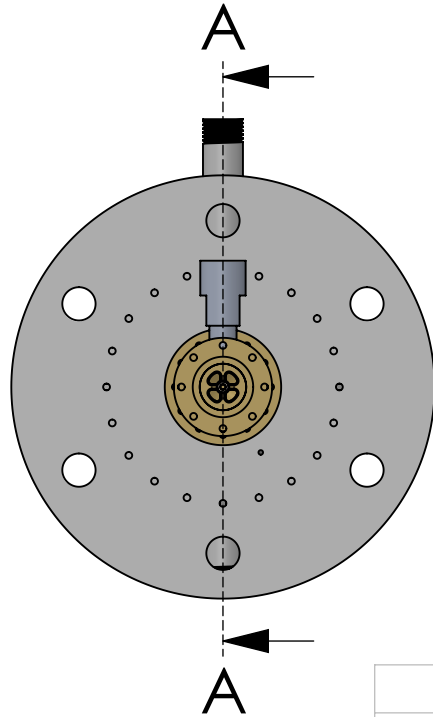
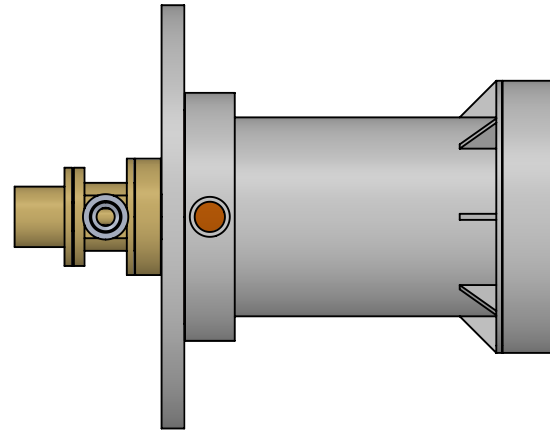
		UNLESS OTHERWISE SPECIFIED:		NAME	DATE	CAMBRIDGE UNIVERSITY SPACEFLIGHT		
		DIMENSIONS ARE IN MILLIMETRES	DRAWN			TITLE: WHITE DWARF ASSEMBLY REFERENCE ONLY		
		TOLERANCES:	CHECKED					
		FRACTIONAL ±	ENG APPR.					
		ANGULAR: MACH ± BEND ±	MFG APPR.					
		TWO PLACE DECIMAL ±	Q.A.					
		THREE PLACE DECIMAL ±	COMMENTS:					
		INTERPRET GEOMETRIC TOLERANCING PER:				SIZE	DWG. NO.	REV
		MATERIAL				A	1	
NEXT ASSY	USED ON	FINISH				SCALE: 1:3		
APPLICATION		DO NOT SCALE DRAWING				SHEET 1 OF 3		

2

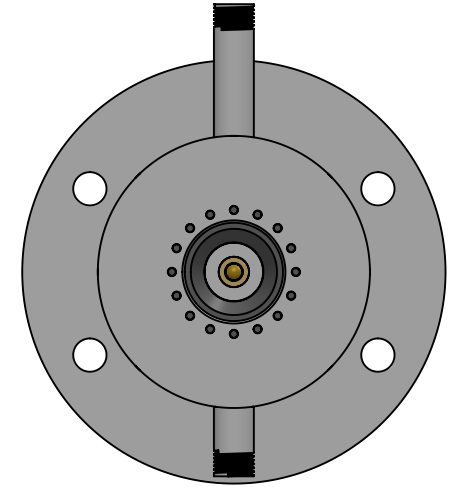
1

B

B



SECTION A-A
SCALE 1 : 5



A

A

PROPRIETARY AND CONFIDENTIAL
 THE INFORMATION CONTAINED IN THIS DRAWING IS THE SOLE PROPERTY OF CAMBRIDGE UNIVERSITY SPACEFLIGHT. ANY REPRODUCTION IN PART OR AS A WHOLE WITHOUT THE WRITTEN PERMISSION OF CAMBRIDGE UNIVERSITY SPACEFLIGHT IS PROHIBITED.

		UNLESS OTHERWISE SPECIFIED:		NAME	DATE	CAMBRIDGE UNIVERSITY SPACEFLIGHT		
		DIMENSIONS ARE IN MILLIMETRES	DRAWN			TITLE: WHITE DWARF ASSEMBLY REFERENCE ONLY		
		TOLERANCES:	CHECKED					
		FRACTIONAL ±	ENG APPR.					
		ANGULAR: MACH ± BEND ±	MFG APPR.					
		TWO PLACE DECIMAL ±	Q.A.					
		THREE PLACE DECIMAL ±	COMMENTS:					
		INTERPRET GEOMETRIC TOLERANCING PER:				SIZE	DWG. NO.	REV
		MATERIAL				A	1	
NEXT ASSY	USED ON	FINISH				SCALE 1:5		SHEET 2 OF 3
		APPLICATION	DO NOT SCALE DRAWING					

2

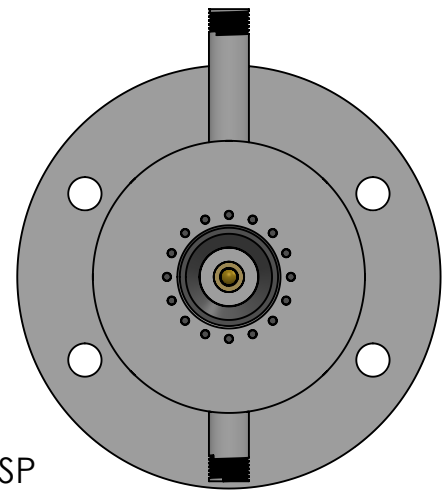
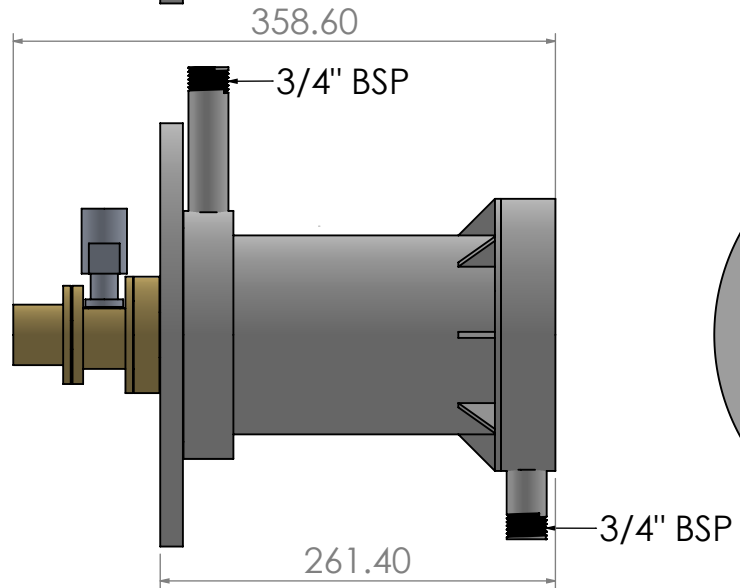
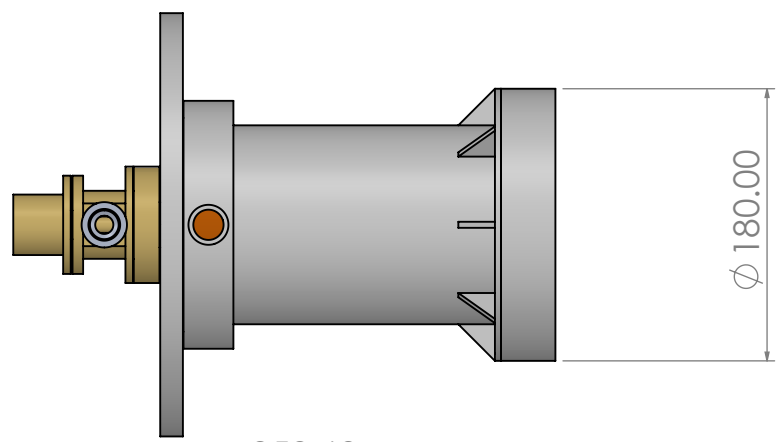
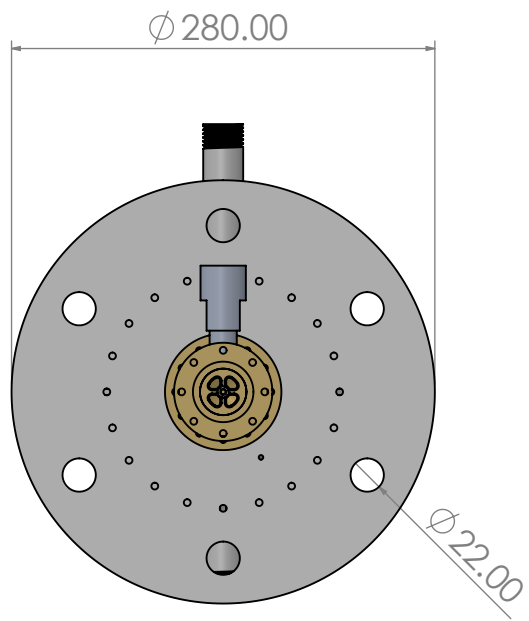
1

2

1

B

B



A

A

PROPRIETARY AND CONFIDENTIAL
 THE INFORMATION CONTAINED IN THIS DRAWING IS THE SOLE PROPERTY OF CAMBRIDGE UNIVERSITY SPACEFLIGHT. ANY REPRODUCTION IN PART OR AS A WHOLE WITHOUT THE WRITTEN PERMISSION OF CAMBRIDGE UNIVERSITY SPACEFLIGHT IS PROHIBITED.

		UNLESS OTHERWISE SPECIFIED:		NAME	DATE
		DIMENSIONS ARE IN MILLIMETRES	DRAWN		
		TOLERANCES:	CHECKED		
		FRACTIONAL ±	ENG APPR.		
		ANGULAR: MACH ± BEND ±	MFG APPR.		
		TWO PLACE DECIMAL ±	Q.A.		
		THREE PLACE DECIMAL ±	COMMENTS:		
		INTERPRET GEOMETRIC TOLERANCING PER:			
		MATERIAL			
		FINISH			
NEXT ASSY	USED ON				
APPLICATION		DO NOT SCALE DRAWING			

CAMBRIDGE UNIVERSITY SPACEFLIGHT		
TITLE: WHITE DWARF ASSEMBLY REFERENCE ONLY		
SIZE A	DWG. NO. 1	REV
SCALE 1:5	SHEET 3 OF 3	

2

1