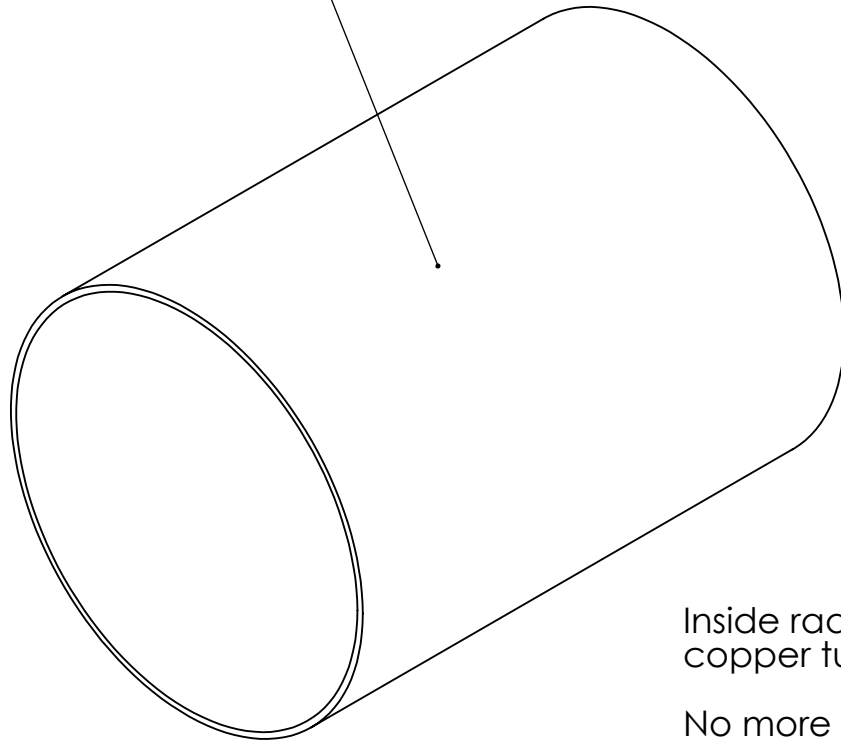
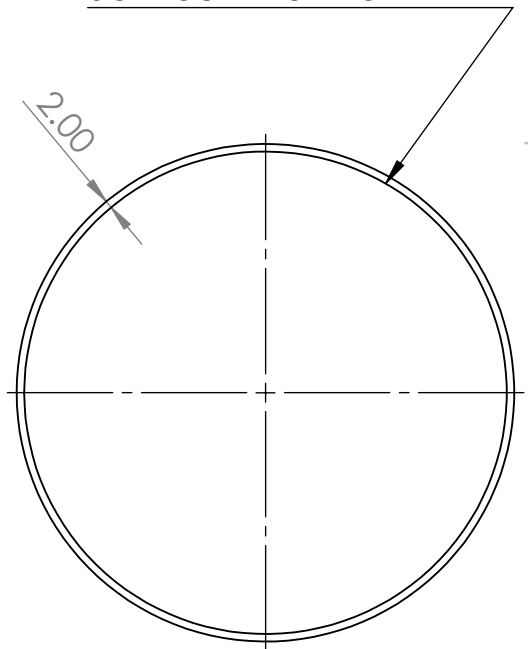
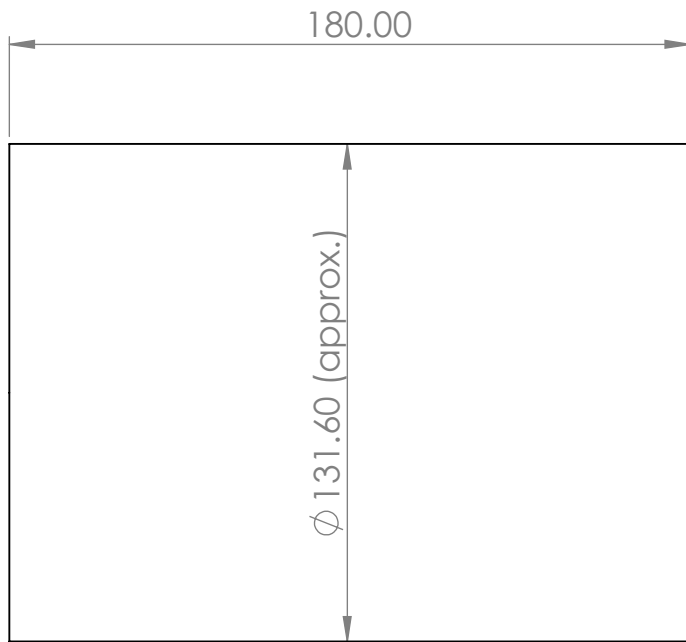


Stainless steel welded tube



Inside radius to fit over copper tube with fins.

No more than 1 mm gap between the two



UNLESS OTHERWISE SPECIFIED:
DIMENSIONS ARE IN MILLIMETERS
SURFACE FINISH:
TOLERANCES:
LINEAR:
ANGULAR:

FINISH:

DEBURR AND
BREAK SHARP
EDGES

DO NOT SCALE DRAWING

REVISION

	NAME	SIGNATURE	DATE	
DRAWN				
CHK'D				
APPV'D				
MFG				
Q.A				

TITLE:

MATERIAL:

DWG NO.

STEEL_OUTER_WALL^{A4}

WEIGHT:

SCALE:1:2

SHEET 1 OF 1